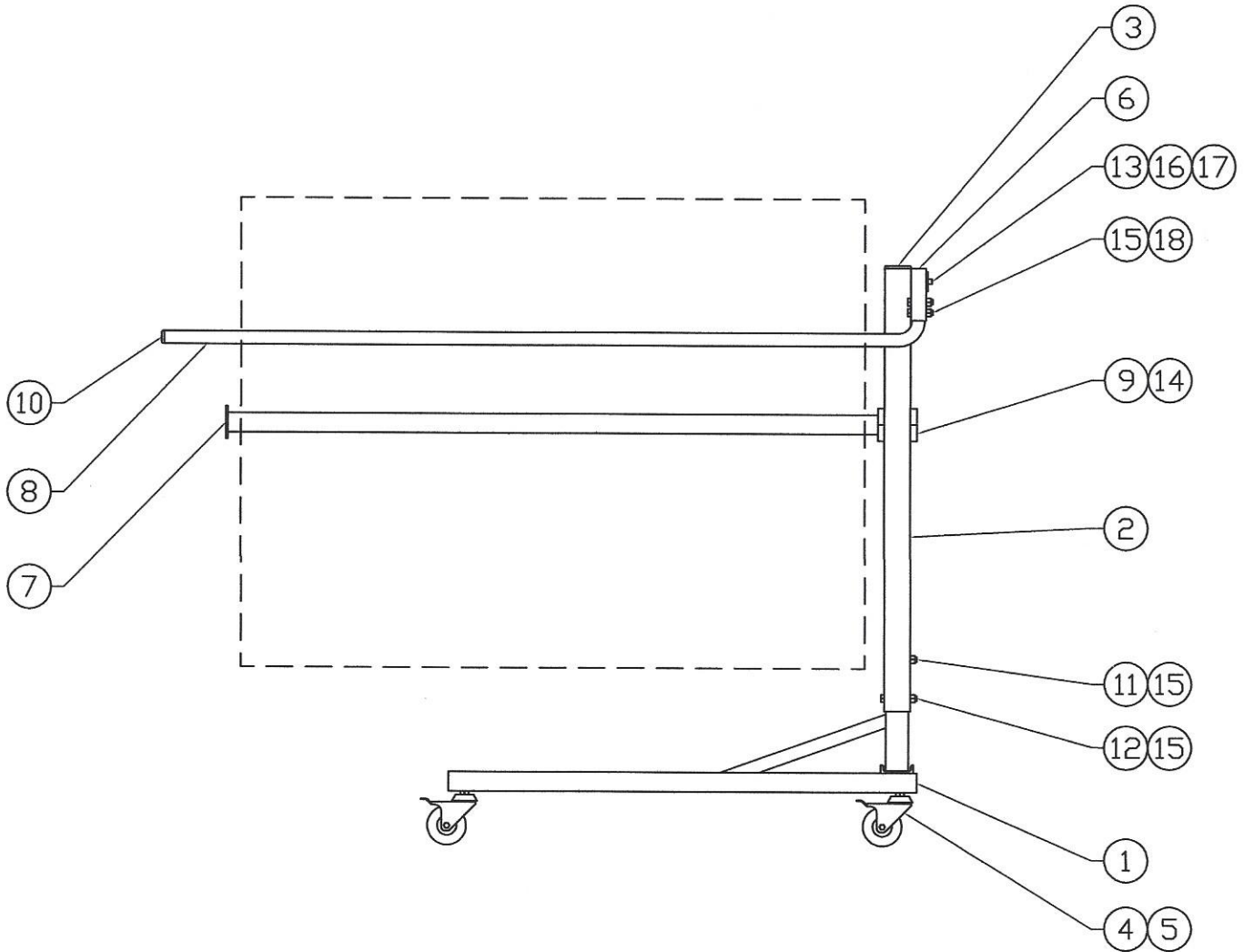


EP-6420

PARTS LIST



Item	Description	Qty	Part #
1	BASE	1	E6420-01
2	MAST	1	E6420-02
3	SQUARE TUBE CAP	1	E6420-03
4	CASTER	4	E6420-04
5	CASTER LOCKNUT	4	E6420-05
6	BRAKE ARM EXTENTION	1	E6420-06
7	SUPPORT ARM	1	E6420-07
8	BRAKE ARM	1	E6420-08
9	MOVABLE COLLAR HALF	2	E6420-09
10	TUBE CAP	1	E6420-10

Item	Description	Qty	Part #
11	MAST ATTACHMENT SCREW	1	E6420-11
12	MAST ATTACHMENT BOLT	1	E6420-12
13	BRAKE ARM PIVOT SCREW	1	E6420-13
14	COLLAR SCREW	4	E6420-14
15	NUT	4	E6420-15
16	BRAKE ARM PIVOT NUT	1	E6420-16
17	BRAKE ARM PIVOT WASHER	1	E6420-17
18	BRAKE ARM EXT. BOLT	2	E6420-18

ITEMS DENOTED THUS ABC ARE MODEL SIZE SPECIFIC AND THE SIZE MUST BE GIVEN WHEN ORDERING THESE PARTS.

Always use proper lifting techniques, wear eye protection and
check to make sure all parts are properly serviced.